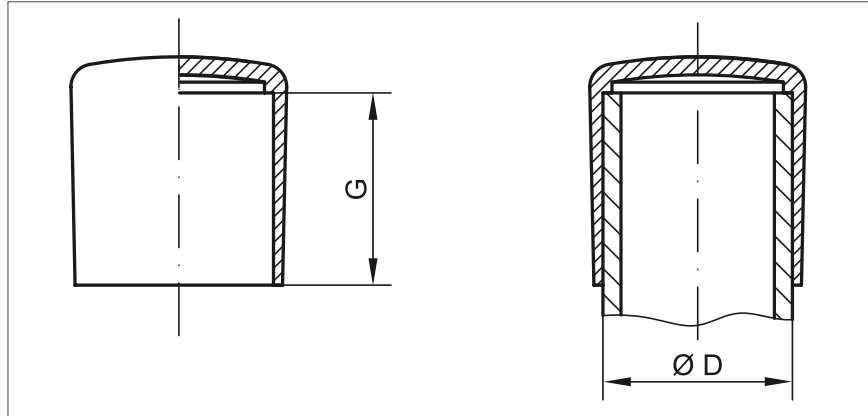


# End Caps GPN 280



Suitable for External diameter D	G	Order no.
3,0	8,0	280 ER 3
4,0	8,1	280 ER 4
5,0	7,7	280 ER 5
6,0	8,6	280 ER 6
7,0	9,0	280 ER 7
8,0	9,4	280 ER 8
10,0	11,0	280 ER 10
11,0	12,9	280 ER 11
12,0	12,3	280 ER 12
13,0	13,2	280 ER 13
14,0	12,8	280 ER 14
15,0	14,7	280 ER 15
16,0	16,4	280 ER 16
18,0	19,7	280 ER 18
20,0	20,1	280 ER 20
21,0	21,3	280 ER 21
22,0	20,6	280 ER 22
24,0	22,7	280 ER 24
25,0	22,3	280 ER 25
26,0	23,5	280 ER 26
27,0	25,3	280 ER 27
28,0	24,8	280 ER 28
30,0	24,8	280 ER 30
32,0	26,4	280 ER 32



**Robust:** Reinforced base for increased demands.



**Additional information:** Suitable for pipes; particularly suitable as gliders for furniture and equipment.

**Material:**  
Polyethylene (PE-LD)  
**Colour:**  
Black

Size in mm

Additional dimensions, heat-resistant types and bespoke designs available on request.